



ESDIAL LASER DISTANCE METER MOUNTING PLATFORM



- **Mounting Platform**
- **For use with the ELDP and MDHD Family of Laser Distance Meters.**
- **Adjustable Mounting Platform, provides Vertical and Horizontal Axis Adjustments.**

Features

- Heavy Duty Durable Design
- Adjustable Mounting Platform, providing Vertical and Horizontal Axis Adjustments.

- Additional Secondary Environmental Enclosures are available including air purged, and water cooled.

ELDP & MDHD Product Family

- ELDP10 for measurements to a reflector panel at distances over 80M or to natural surfaces up to 20M.
- The MDHD20HT is designed for measurements off of a red hot surface up to 1 4 0 0 °C at distances up to 20M.
- MDHD100 for measurements to a reflector panel at distances up to 800M or to natural surfaces up to 155M.
- MDHD600 for measurements to a reflector panel at distances up to 600M & Glass Prism reflectors up to 1200M.

Typical Applications

- Crane applications in areas where Vertical and Horizontal Axis Adjustments are required.
- Any Laser Distance Meter application in areas where Vertical and Horizontal Axis Adjustments are required.

Description

The ESDIAL Laser Distance Meter Mounting Platform provides additional provides a 20mm Vertical Axis Adjustment and a 20° Horizontal Axis Adjustment during alignment.

MODULOC[®] Technology - The Total Laser Solution

MODULOC[®] Control Systems Ltd.

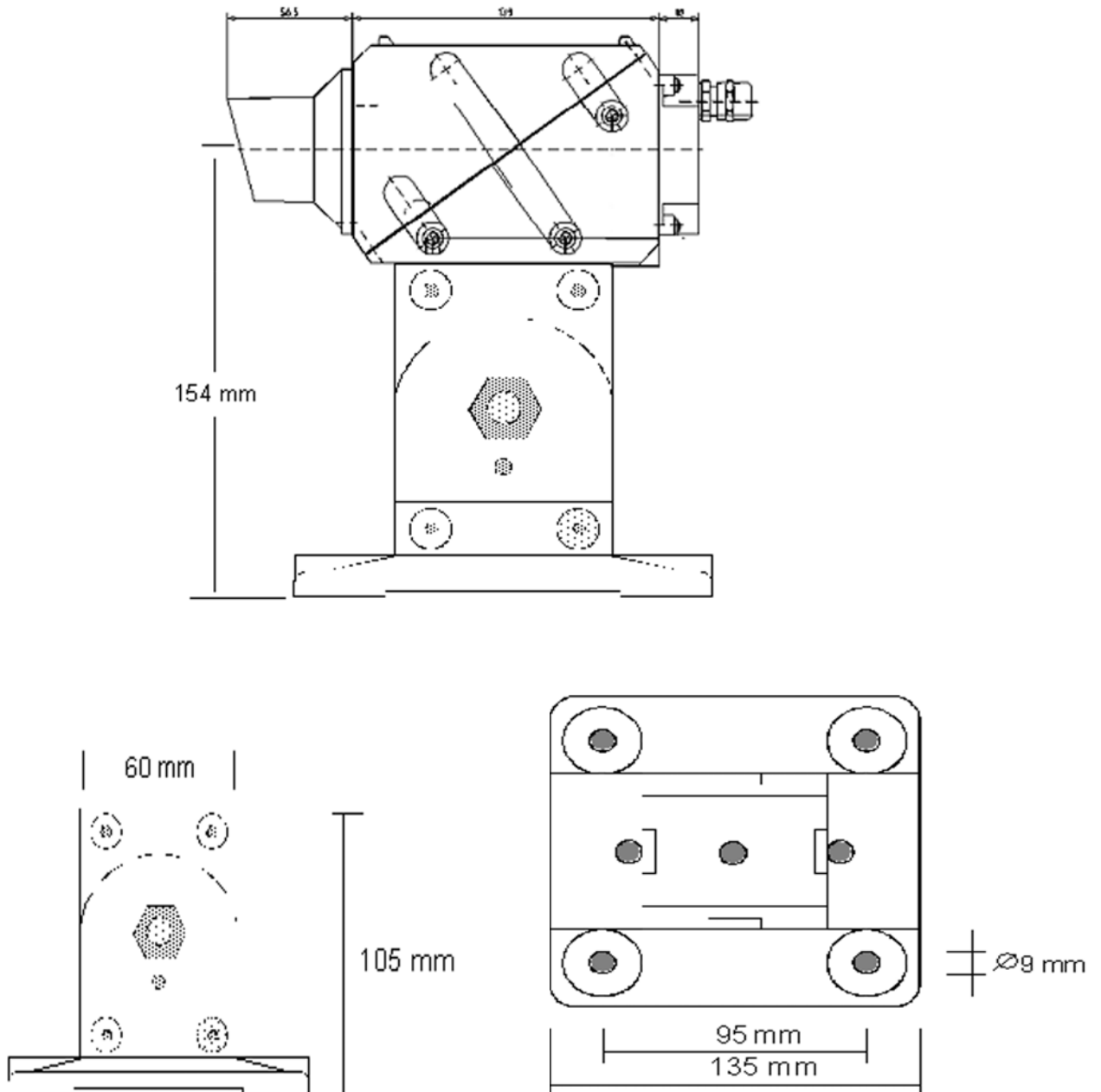
Wheathamstead, Hertfordshire, AL4 8SB United Kingdom
Phone: +44 (0)845 873 6501 FAX: +44 (0)158 283 1980
E-Mail: sales@moduloc-intl.com Website: www.moduloc-intl.com

MODULOC[®] Control Systems, Inc.

2808 Broadway Blvd. - Suite 201B, Monroeville, PA 15146 USA
Phone: 412-824-1260 FAX: 412-824-8890
E-Mail: sales@moduloc-usa.com Website: www.moduloc-usa.com

ESDIAL Dimensional Info

Weight: 2.2 kg (without the LDM)



MODULOC[®] Technology - The Total Laser Solution

MODULOC[®]
Control Systems

Your Local Sales Representative:

We reserve the right to alter specifications without prior notice. Specifications without tolerances are typical values.



Bulletin MC-ESDIAL-08-01
January 2008